

TIMBERTECH DECKING AND RAILING INSTALLATION INSTRUCTIONS AND WARRANTY

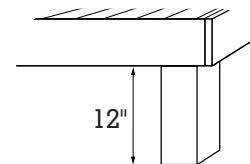
• Decking • Railing • Accessories • Care/Cleaning • Warranty

Storage and Handling

- Never dump TimberTech materials when unloading.
- Store on a flat surface and cover with non-translucent material.
- When carrying TimberTech planks, carry on edge for better support.

When working with any material including TimberTech, be sure to wear proper clothing and safety equipment.

- For all TimberTech products, standard woodworking tools may be used, as per applicable manufacturer's instructions.
- Scrap can be discarded with normal construction debris.
- RadianceRail™ should be disposed of with normal construction debris. **DO NOT BURN** RadianceRail due to its material properties.



Other Considerations

- TimberTech Floorizon™ Planks require a minimum of 12" high unobstructed continuous airspace below joists and along three sides of the deck.
- TimberTech is not intended for use as columns, support posts, beams, joists, stringers or other primary load-bearing members.
- TimberTech meets or exceeds all Americans with Disabilities Act standards for slip resistant walking surfaces. TimberTech has excellent slip resistance wet or dry.
- TimberTech's brushed surface is directional in manner. A notch has been added to one side of the Earthwood™, TwinFinish® plank, 5/4 plank and the 2x6 plank. When installing these planks, this marked edge must be laid to the same side for the entire installation for a consistent appearance. The Fascia board has one long edge beveled on the front and back. To ensure a consistent appearance from board to board when installing Fascia, the beveled edge must be laid to the same side. If you rip a piece be sure to note the location of the bevel on the ripped piece to ensure consistency (see bottom of page 3 for more details).
- TimberTech Fascia is for vertical applications only and should **NEVER** be used as deck planks.
- TimberTech Floorizon and 2x6 Planks should never cantilever (extend) beyond the edge of deck frame.
- TimberTech Earthwood, TwinFinish and 5/4 Planks can extend beyond the last support a maximum of 1".
- Always consult local building codes prior to installation.

Standard Joist Spacing

Floorizon™ and 2x6 Planks

	90° Angle	30° Angle	45° Angle
Commercial	16"	14"	11"
Residential	24"	20"	17"

TwinFinish®, Earthwood™ and 5/4 Planks

	90° Angle	30° Angle	45° Angle
Commercial	12"	10"	8"
Residential	16"	14"	11"

Special conditions will require an engineering inspection and/or reduced spans. Always consult local building codes.

Maximum Stair joists (stringer) spacing for all decking planks is 12" on-center. Make sure there is at least one stringer for support in the middle of the stair span.

Fastening TimberTech

Through internal evaluation, TimberTech believes the following fasteners work well with TimberTech products.

Screws: Use stainless steel or high quality coated deck screws or composite deck screws. Fasteners should be installed perpendicular to deck and driven flush; do not overdrive. Ask your TimberTech representative or dealer for additional details.

Floorizon Planks: Use a minimum #8 x 2-1/2" stainless steel or high quality coated deck screw. For enhanced appearance, our T&G product has a virtually hidden fastening system. We recommend using this product if you prefer a fastener free surface.

2x6 Plank: Use a minimum #8 x 3" stainless steel or high quality coated deck screw. Planks should be pre-drilled when within 1-1/2" of the ends of the plank and in cold weather. When applying screws, a raised

area of material or mushroom effect may form around the head of the screw. This material may be lightly tapped back into the hole to help cover the fastener. The use of composite deck screws can also reduce this effect.

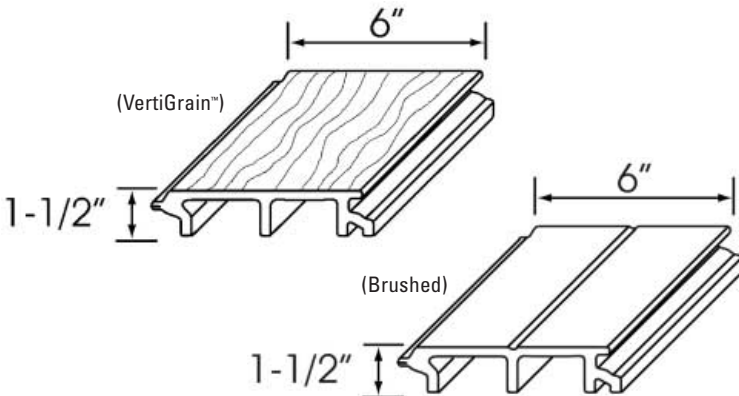
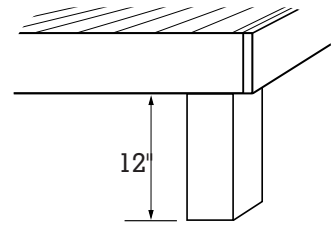
Earthwood, TwinFinish and 5/4 Planks: Use a minimum #8 x 2-1/2" stainless steel or high quality coated deck screw. Planks should be pre-drilled when within 1-1/2" of the ends of the plank and in cold weather. When applying screws, a raised area of material or mushroom effect may form around the head of the screw. This material may be lightly tapped back into the hole to help cover the fastener. Trim head screws work well and minimizes the mushroom effect and visibility of the fastener. The use of composite deck screws can also reduce this effect.

Installing TimberTech Floorizon Planks

Never Force Planks Together

(Use hand pressure only)

For proper ventilation to reduce moisture buildup from beneath the deck there must be a minimum 12" high unobstructed continuous air space along at least three sides of the deck to allow for cross-ventilation. This should be located just below the bottom of the deck joist. The use of a lattice panel is permitted as long as the lattice openings are at least as wide as the lattice slats. Floorizon planks are not recommended for dock applications.



In some limited applications, including decks built against an inside corner, additional ventilation will be required where the deck meets the building.

- Floorizon planks should not be used for roof applications or on-grade applications where the deck joist is less than 12" from the ground or enclosed, and proper ventilation cannot be achieved. For these applications use Earthwood, TwinFinish, 5/4 or 2x6 planks.

- Failure to provide adequate ventilation may result in failure of the deck surface and will void the warranty.

General Information

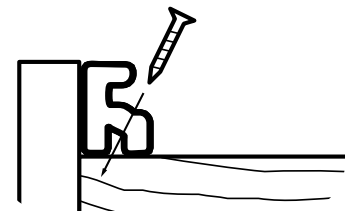
- Pre-drilling is required in cold weather and when within 1-1/2" of the end of the plank.
- Do not use glue or caulk to fasten TimberTech planks or to seal the joint between two planks and any other surface. This will inhibit the natural expansion and contraction of the planks and will impede the drainage of the deck.
- Use #8x2-1/2" stainless steel or high quality coated deck screws.
- We suggest that the deck slope 1/2" for every 8' away from the house to aid water run-off.
- Install from the outside of the deck toward the house.
- Weight is 2.2 lb. per ft.
- Available in 12', 16' and 20' lengths. Color choices are TimberTech Cedar, Grey and Redwood.
- Floorizon Planks are available with a VertiGrain or traditional brushed surface.

Installation

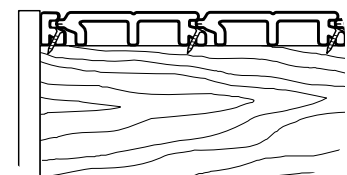
- Using hand pressure only, slip "tongue" of plank into Starter Strip groove - there will be approximately a 3/16" reveal between plank's tongue and the Starter Strip's groove. Weep holes must be visible for proper installation.
- Place TimberTech Starter Strip along leading edge of deck and drive screws through outside leg of strip as shown.
- Fasten planks at each joist by driving screws through outside leg. Repeat until the surface is covered.
- For best results, fasten from center of plank out.
- Leave a 1/8" gap between planks at all end joints and all other surfaces including rail posts.
- End joints must fall on a joist, and it is recommended that framing members be doubled up to provide an adequate fastening surface.
- If last row is a partial-width plank, rip plank to fit, block with a 1x, and fasten through the plank surface and block into the joist as shown.

Plank Replacement

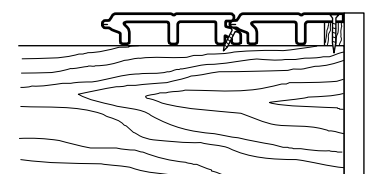
- Cut down the length of damaged plank and pry it out.
- Cut the heel off the replacement plank (outside leg on the groove side).
- Slip the replacement plank into place. Using a 3" trim screw, fasten the plank from the top.
- Push the "mushroomed" material down into the hole, using the side of a hammer to flatten it out - this will help hide the fastener.
- Your replacement plank will weather to match the rest of the surface in approx. 8-10 weeks. This process may vary depending on geographic location and specific application.



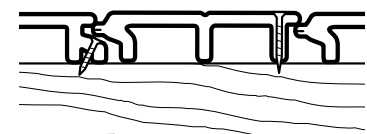
Starter Strip Installation



Plank Installation



Ripped and Blocked Plank

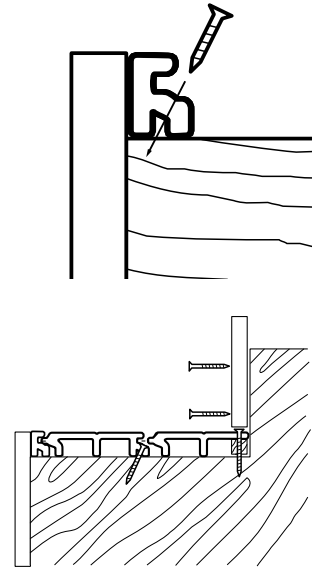


Plank Replacement

Step-Building Instructions

Stairs with Floorizon Planks using Starter Strip

- Maximum joist spacing is 12" on-center. Make sure there is at least one stringer for support in the middle of the stair span.
- Attach TimberTech Fascia board to the front of the bottom step and fasten into place, using two #8x1-1/2" stainless steel or high quality coated deck screws at each joist stringer. Make sure to cut the TwinFascia riser board 1-1/2" higher than the step.
- Place Starter Strip against the TwinFascia riser board and fasten into place.
- Using hand pressure only, slip the first stair tread plank into the Starter Strip. There will be approximately a 3/16" reveal between the plank's tongue and the Starter Strip's groove.
- Do not force planks into the starter strip. You will be able to see part and or all of the weep holes.
- Fasten the first stair tread plank into place, using a #8x2-1/2" stainless steel or high quality coated deck screw per stair stringer.
- Fasten the remaining plank(s).
- If needed, rip a plank to fit and block as shown, use 3" trim head screws to attach.
- Place the TwinFascia riser board directly on top of the last stair tread plank installed for the previous step.
- Fasten TwinFascia riser board into place and repeat process for additional steps.

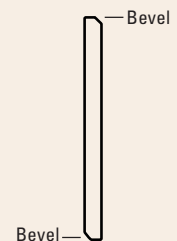
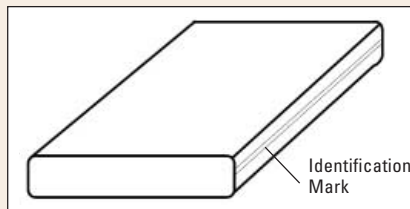


Directional Brushing

Earthwood, TwinFinish, 5/4, 2x6 Planks and Fascia Boards

- TimberTech's brushed surface is directional in manner. A notch has been added to one side of the planks. When installing planks, this marked edge must be laid to the same side for the entire installation for a consistent appearance. The Fascia board has one long edge beveled on the front and back. To ensure a consistent appearance from board to board when installing the Fascia, the beveled edge must be laid to the same side. If you rip a piece of Fascia be sure to note the location of the bevel on the ripped piece to ensure consistency.

Note: This is not an issue for Floorizon planks because the tongue-and-groove system ensures the product is installed such that the brushed surface is in the same direction.

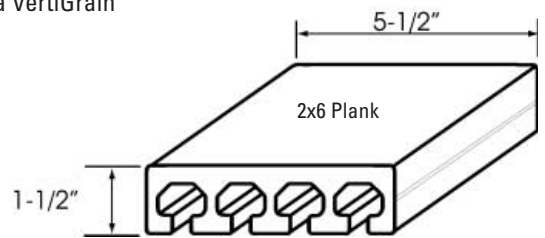
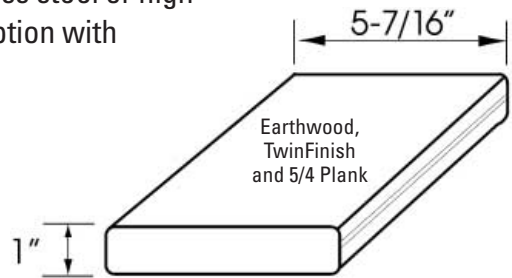


Installing TimberTech Earthwood, TwinFinish, 5/4 and 2x6 Planks (actual plank dimensions are as shown below)

- **Earthwood, TwinFinish and 5/4 Planks** use #8x2-1/2" stainless steel or high quality coated deck screw. Trim head screws are also an option with this plank profile.
- **2x6 Plank** use #8x3" stainless steel or high quality coated deck screw. Trim head screws are not recommended with this plank profile.

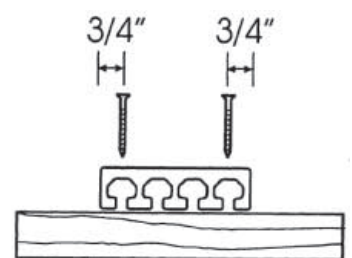
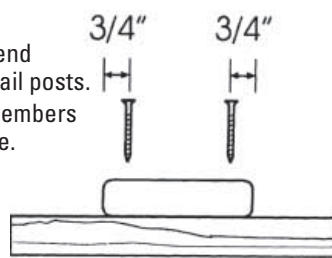
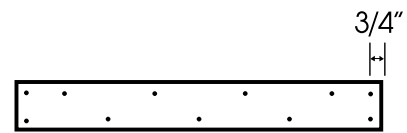
General Information

- For use in areas with minimal obstructed continuous airflow.
- **Pre-drilling is required in cold weather and when within 1-1/2" of the end of the plank.**
- Earthwood planks have two usable sides, one side is serrated and the other has a VertiGrain pattern. Choose which side you prefer and put that face up for installation.
- TwinFinish planks have two usable sides, one side is brushed and the other side has a VertiGrain pattern. Choose which side you prefer and put that face up for installation. 5/4 planks, have one brushed side and one serrated side.
- We suggest that the deck slope 1/2" for every 8' away from the house to aid water run-off.
- Do not use glue or caulk to fasten TimberTech planks or to seal the joint between two planks and any other surface. This will inhibit the natural expansion and contraction of the planks and will impede the drainage of the deck.
- Install from the outside of the deck toward the house so the ripped plank is less noticeable.
- For use on roof and on-grade applications with a minimum of a 2" sleeper system supported by and connected to the substructure over which the deck is to be built.
- Weight: Earthwood=2.7 lb.per ft., 5/4 = 2.7 lb. per ft., 2x6 = 2.6 lb. per ft.
- Available in 12', 16' and 20' lengths. Color choices are TimberTech Cedar, Grey and Redwood. Earthwood plank is available in Tropical Walnut color only.



Installation

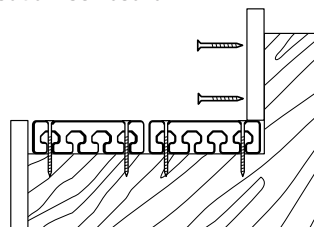
- Fasten 3/4" from the outside edge of each plank, using two screws per joist including end joints. You can also fasten the plank using one screw per joist in a staggered or alternating pattern. See diagram (you will still need to fasten two screws on the ends of each plank).
- Pre-drill to fasten ends of boards to avoid splitting (within 1 1/2" of the end of board).
- Planks should be gapped a minimum of 1/8" side to side, at all end joints and between the plank and any other surface including rail posts.
- End joints must fall on a joist. It is recommended that framing members at butt joint locations be doubled up for added fastening surface.
- Rip last plank as needed to fit.



Stairs with Earthwood, TwinFinish, 5/4 and 2x6 Planks

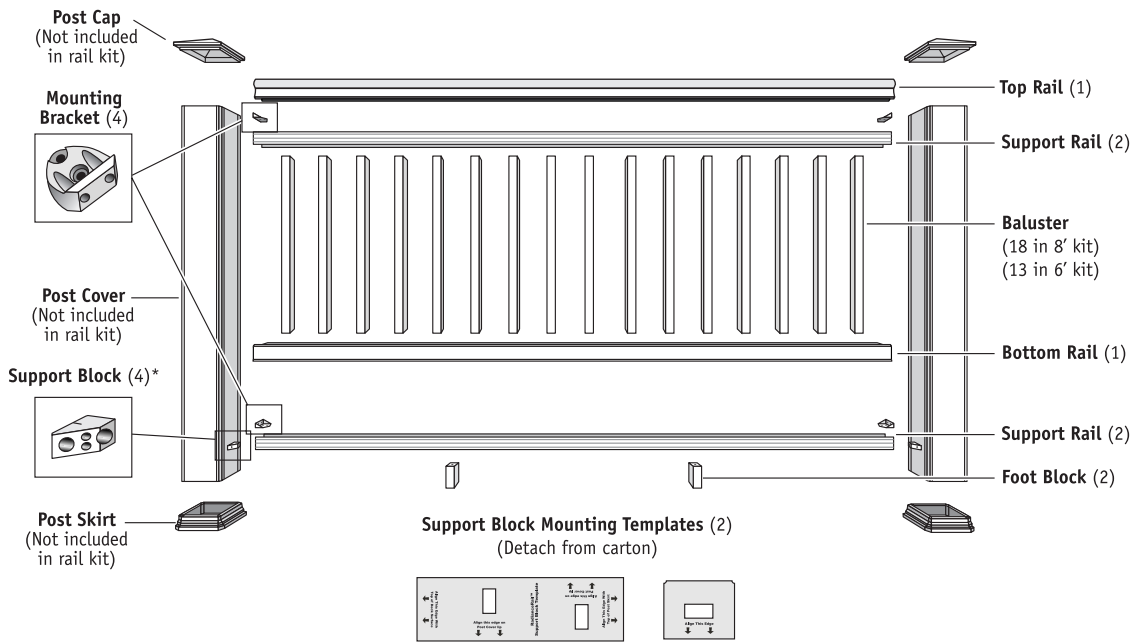
TimberTech does not recommend installing planks on steps without a riser board.

- Make sure that the stringer step is at least the depth of two full planks plus a minimum 1/8" gap between planks.
- Maximum stringer spacing for stairs is 12" on-center. Make sure there is at least one stringer for support in the middle of the stair span.
- Attach a TimberTech TwinFascia riser board to the front of the bottom step. Make sure you have cut the riser 1-1/2" higher than the step for 2x6 planks and 1" higher for 5/4 planks.
- Make sure to leave a 1/8" minimum gap between the planks and any other surface including rail posts.
- To create the next step, place the Fascia board directly on top of the last plank installed for the previous step and repeat the process above.



RadianceRail™ System

Railing System - 6' and 8' Kits



Hardware Mounting Kit (Part Number: RRHWKIT)

- Mounting Bracket (4)
- Support Block (4)
- #8 x 3/4" Screws (8)
- #8 x 2" Screws (8)
- #8 x 3" Stainless Steel Screws (16)

Note: T-20 torx driver bit not included in rail kit.

Baluster Screw Kit - 6'

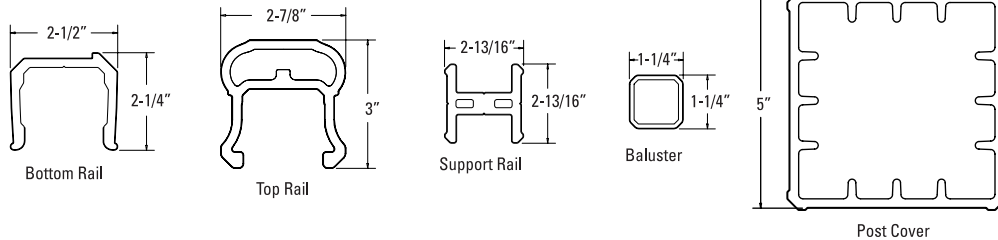
- #8 x 2" Screws (13)
- #8 x 3" Screws (13)

Baluster Screw Kit - 8'

- #8 x 2" Screws (18)
- #8 x 3" Screws (18)

* Only two support blocks are required for straight and angled sections. four are required for each stair rail section.

Component Dimensions



Before You Begin

In order to achieve a trouble-free installation of the TimberTech RadianceRail System, please do the following before beginning:

- Familiarize yourself with installation instructions.
- Consult local building codes.
- 4x4 lumber posts should be installed plumb and no more than 8' from center to center of post.
- Post Skirts will not fit properly on the deck if your rail 4x4 posts are notched over the rim joist.
- Confirm that you have all the parts (and quantities) listed in the diagram.

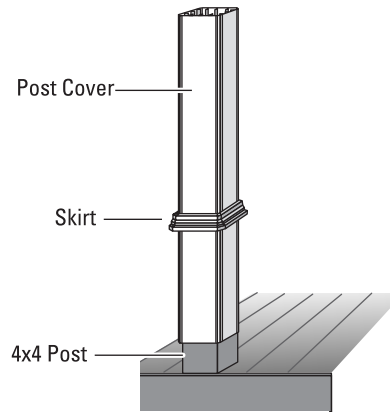
Note: T-20 torx driver bit for screws not included.

RadianceRail should be disposed of with normal construction debris. DO NOT BURN RadianceRail due to its material properties.

Installing Straight and Angled Rails

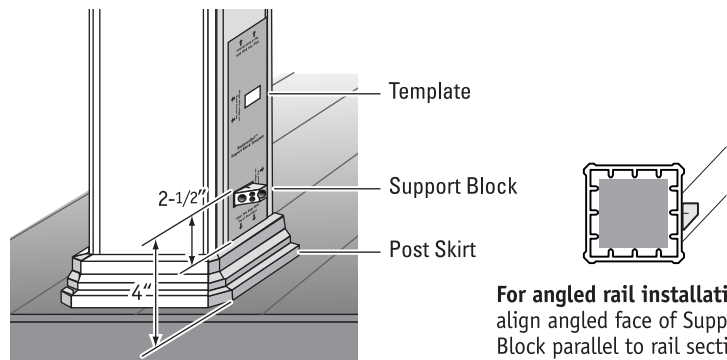
1 Install Post Covers

- Trim Post Covers to desired length.
- Slide Post Cover and Post Skirt over post. Cover should slide easily over post, DO NOT FORCE.



2 Install Lower Support Blocks

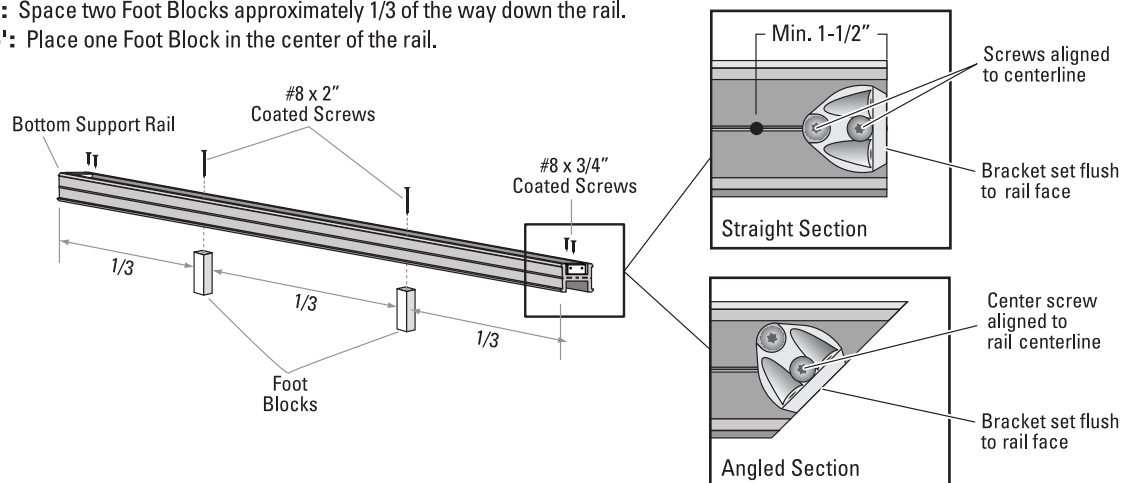
- Locate and detach the Support Block Mounting Template from the hardware compartment of the carton.
- Position template at the bottom of the Post Cover, resting it, on the top of the Post Skirt. (Note: The template can be used with or without a Post Skirt. Follow the instructions on the template for your application.)
- Use template to align Support Block to center of post, pre-drill with 7/64" drill bit and attach with two #8 x 3" stainless steel screws.
- If you do not have the template, align the Support Block with the center of the post and position the top of the Support Block 4" above the deck surface (2-1/2" above top of Post Skirt).



For angled rail installations - align angled face of Support Block parallel to rail section.

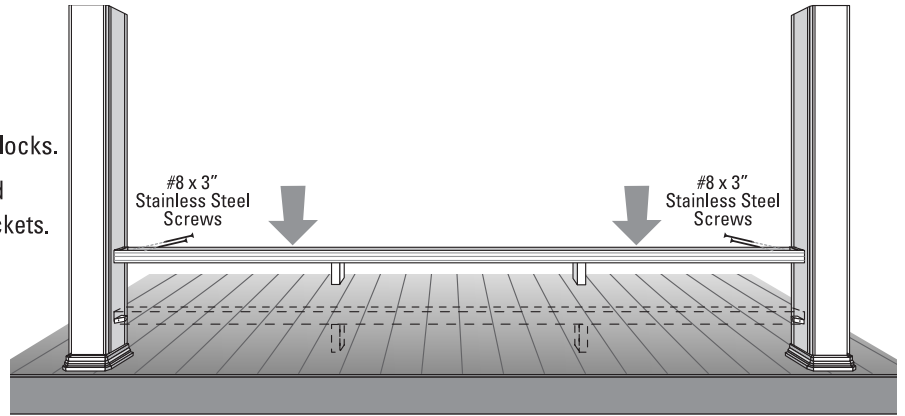
3 Cutting and Pre-Assembling Bottom Support Rail

- Measure the distance between the posts near the bottom and the angle to the rail run.
- Cut the bottom Support Rail to length. Make sure the pre-drilled holes in the Support Rail are not within 1 1/2" of your end cuts.
- Position Mounting Brackets at each end of the Support Rail, pre-drill and attach with #8 x 3/4" screws.
For straight sections: align bracket face to rail end, and align center screws to rail centerline.
For angled sections: align bracket face to angled face, and align center screw to rail centerline.
- Position Foot Blocks and attach to rail, pre-drill using 3/16" drill bit and attach with #8 x 2" coated screws.
For sections 6' to 8': Space two Foot Blocks approximately 1/3 of the way down the rail.
For sections up to 6': Place one Foot Block in the center of the rail.



4 Install Bottom Support Rail

- Position Bottom Rail assembly onto Support Blocks.
- Pre-drill 7/64" pilot holes through Post Cover and into post through the holes in the Mounting Brackets.
- Secure brackets to posts with #8 x 3" stainless steel screws.

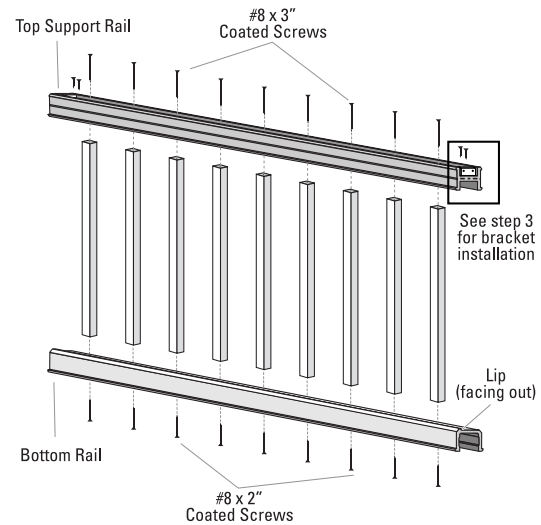


5 Baluster Spacing and Trimming Rails

- Measure the distance between the posts near the bottom Support Rail.
- Transfer measurement to Bottom Rail. To maximize the Baluster spacing between the end Balusters and post, center the measurement on a pre-drilled hole or half way between two pre-drilled holes.
- The space between the end baluster and post can not exceed 4".
- Once the desired layout is achieved, trim Bottom Rail to length.
- Measure the distance between the posts near the top of the post and repeat the Baluster layout process on the top Support Rail.

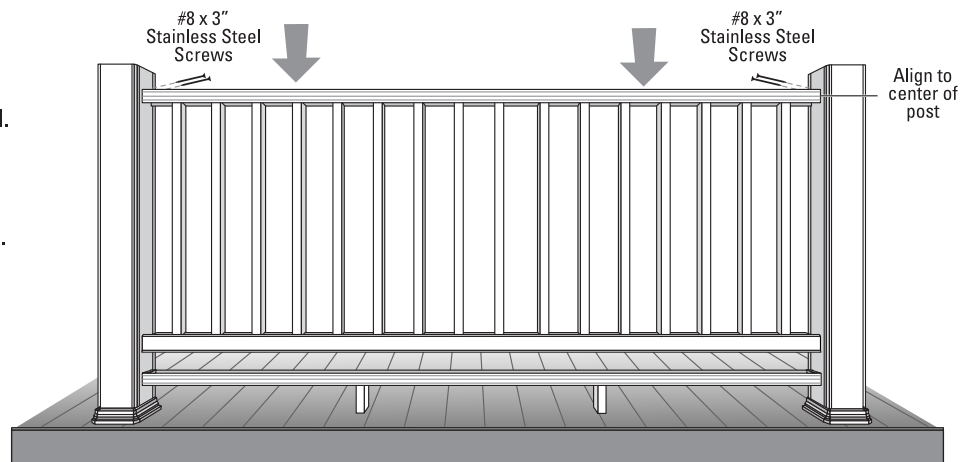
6 Assemble Balusters

- Position and secure Mounting Brackets at each end of the top Support Rail as outlined in Step 3.
- Lay out Balusters along the top Support Rail, aligning them with the pre-drilled holes. Secure with #8 x 3" coated screws.
- Position Bottom Rail, using the lip to help align Balusters. Secure with #8 x 2" coated screws.



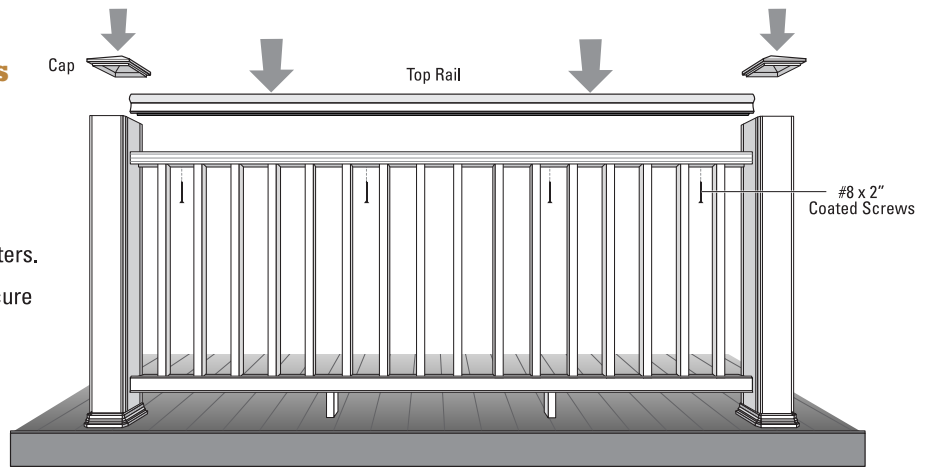
7 Install Railing Assemble

- Position rail assembly over bottom Support Rail.
- Align top Support Rail to center of posts.
- Pre-drill and secure Mounting Brackets to Post Covers with #8 x 3" stainless steel screws.



8 Install Top Rail & Post Caps

- Measure and cut Top Rail to length.
- Position Top Rail over Support Rail. Secure near each end and along the middle with four #8 x 2" coated screws angled upward between the Balusters.
- Finish installation by positioning Post Caps, and secure using exterior grade caulk applied to the underside of the cap.

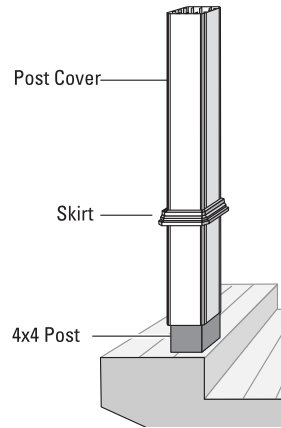


Installing Stair Rails

1 Install Post Covers

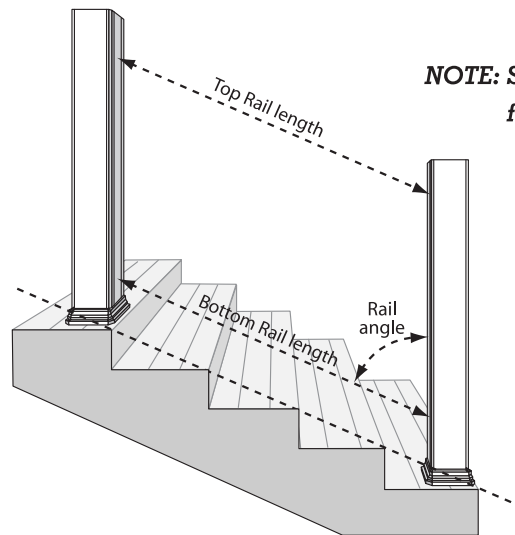
- Trim Post Covers to desired length.
- Slide Post Cover and Post Skirt over post. Cover should slide easily over post, DO NOT FORCE.

Note: Consult local building codes for stair rail height and allowable space below Bottom Rail and steps.

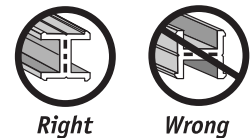


2 Trim Rails

- Check to ensure that posts and covers are plumb.
- Determine measurements and angle as shown in the diagram below.
- Trim both the top Support Rail and the bottom Support Rail to those dimensions. Test fit rails to check for accuracy. Make sure the pre-drilled holes in the support rail are not within 1 1/2" of the end cuts.
- Transfer measurement from bottom Support Rail to Bottom Rail. To maximize the Baluster spacing between the end balusters and posts, center the measurement on a pre-drilled hole or half way between two pre-drilled holes. Trim Bottom Rail.
- Trim Top Rail to match top Support Rail.

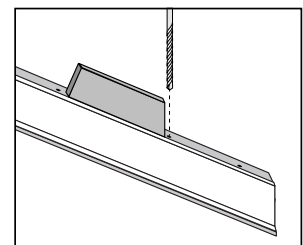
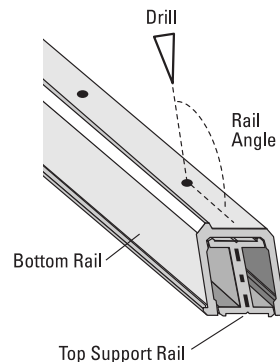


NOTE: Support Rails are rotated 90° for stair rail applications



3 Drill Baluster Holes

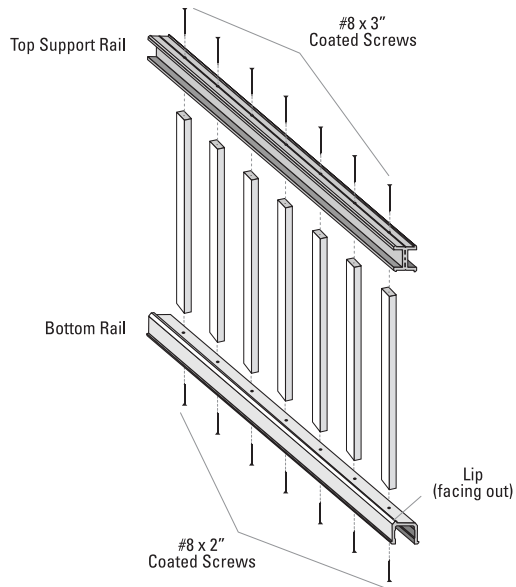
- It is necessary to drill Baluster screw holes in the top Support Rail.
- To keep the holes aligned, snap the Bottom Rail and the top Support Rail together as shown.
- Drill a 3/16" hole through the top Support Rail using the Bottom Rail holes for alignment, drilling at the same angle used to cut rail ends.
- Once all holes are drilled, separate the two rails.



Note: Use a scrap piece of wood with the railing angle as a guide for your drill bit.

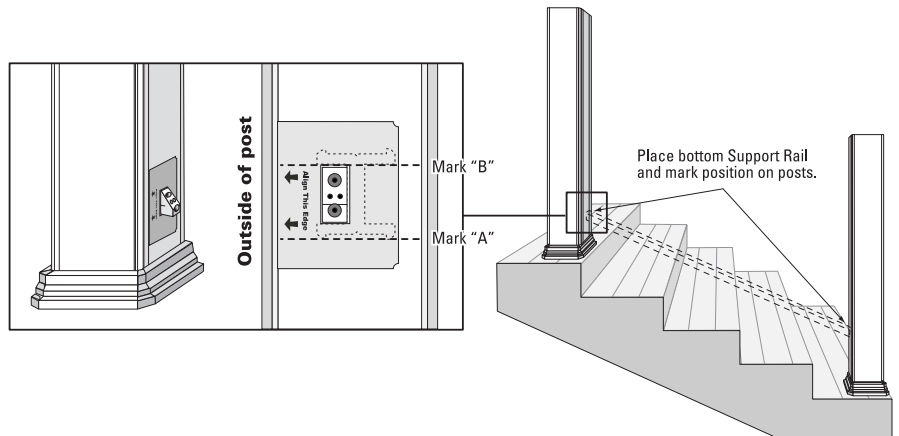
4 Assemble Balusters

- Trim Balusters to desired length, and angle making sure to cut equal amounts from each end of baluster.
- Lay out Balusters along the top Support Rail, aligning them with the holes drilled in step 3. Secure with #8 x 3" coated screws.
- Position Bottom Rail, using the lip to help align Balusters. Secure with #8 x 2" coated screws.



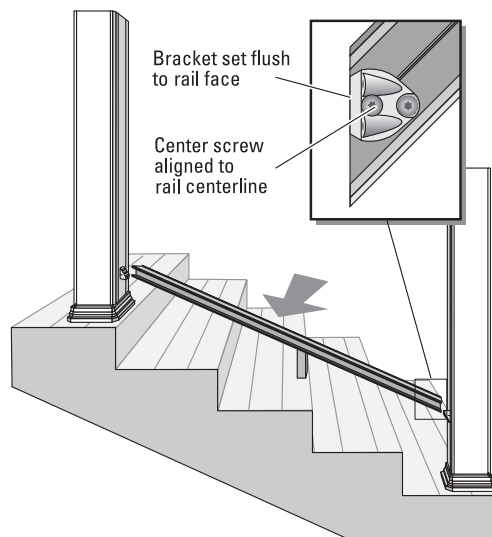
5 Install Lower Support Blocks

- Consult local building codes for stair rail height and allowable space below Bottom Rail and steps.
- Place Top Rail onto the railing assembly and position the assembly between the posts. Determine the location as needed for rail height.
- Holding the assembly in place, mark the bottom of the Bottom Rail on the post covers (see A below). This will help locate the lower Support Blocks. Remove the assembly.
- Position bottom Support Rail on mark "A" and place a mark at location B (see B below).
- Use the template as shown below to position Support Blocks.
- Pre-drill and secure lower Support Blocks to post with #8 x 3" stainless steel screws. Align the angled face with the direction of the rail slope as shown.



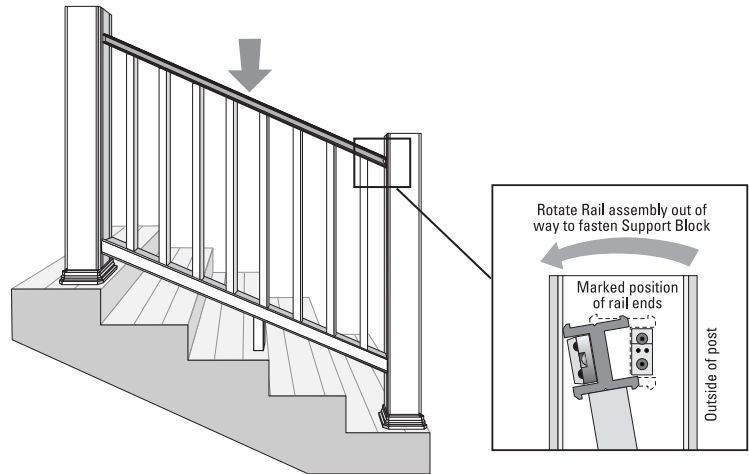
6 Install Bottom Support Rail

- Pre-drill and attach Mounting Brackets to the inside of the bottom Support Rail at each end with #8 x 3/4" coated screws.
- Position Foot Blocks and attach to rail, pre-drill using 3/16" drill bit and attach with #8 x 2" screws.
For sections 6' to 8': Space two Foot Blocks approximately 1/3 of the way down the rail.
For sections up to 6': Place one Foot Block approximately in the center of the rail.
- Position bottom Support Rail between post and pre-drill 7/64" pilot holes through Post Cover and into post through the holes in the Mounting Brackets.
- Secure Mounting Brackets to posts with #8 x 3" stainless steel screws.



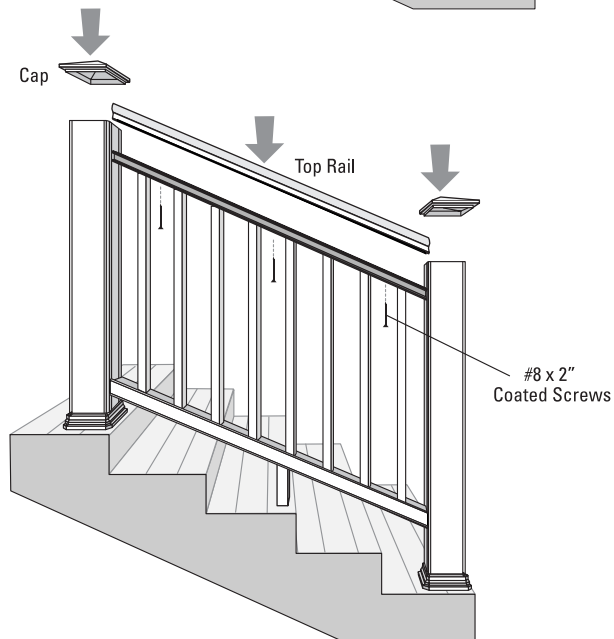
7 Install Railing Assembly

- Pre-drill and attach Mounting Brackets to top Support Rail as done in step 6.
- Position rail assembly over bottom Support Rail, and align top Support Rail to center of posts.
- Mark ends of top Support Rail. Gently push top Support Rail to the side to obtain necessary clearance to attach Support Blocks.
- Attach Support Blocks in marked position. Pre-drill and secure with #8 x 3" stainless steel screws.
- Swing rail assembly back against Support Blocks. Pre-drill 7/64" pilot holes and secure Mounting Brackets to posts with #8 x 3" stainless steel screws.



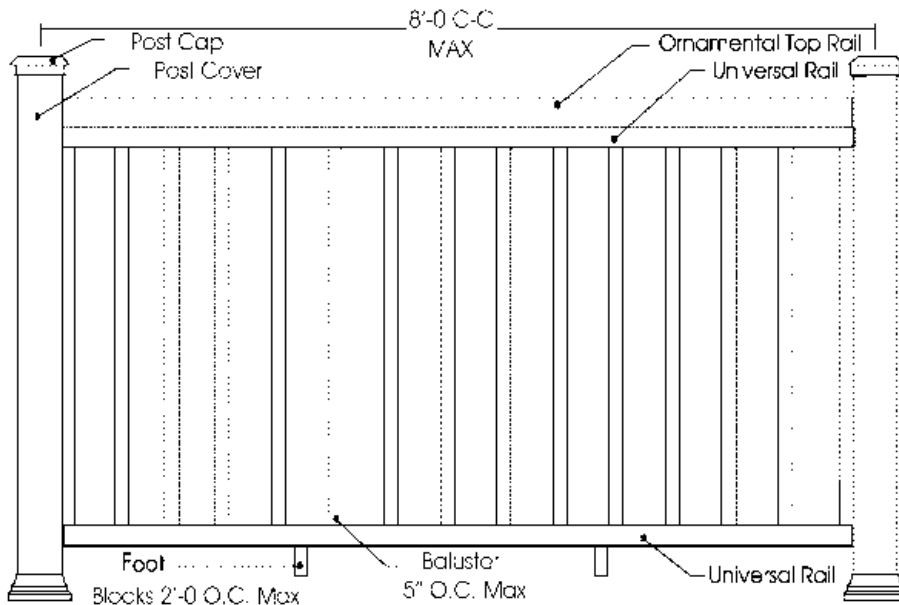
8 Install Top Rail & Post Caps

- Position Top Rail over Support Rail. Secure near each end and along the middle with #8 x 2" coated screws angled upward between the Balusters.
- Finish installation by positioning Post Caps, and secure using exterior grade caulk applied to the underside of the cap.



Note: Depending on your angle, the screws used to attach the Top Rail may need to be longer than 2".

Ornamental Railing System



Fraction	Decimal	Fraction	Decimal
1/64	0.0156	33/64	0.5156
1/32	0.0313	17/32	0.5313
3/64	0.0469	35/64	0.5469
1/16	0.0625	9/16	0.5625
5/64	0.0781	37/64	0.5781
3/32	0.0938	19/32	0.5938
7/64	0.1094	39/64	0.6094
1/8	0.1250	5/8	0.6250
9/64	0.1406	41/64	0.6406
5/32	0.1563	21/32	0.6563
11/64	0.1719	43/64	0.6719
3/16	0.1875	11/16	0.6875
13/64	0.2031	45/64	0.7031
7/32	0.2188	23/32	0.7188
15/64	0.2344	47/64	0.7344
1/4	0.2500	3/4	0.7500
17/64	0.2656	49/64	0.7656
9/32	0.2813	25/32	0.7813
19/64	0.2969	51/64	0.7969
5/16	0.3125	13/16	0.8125
21/64	0.3281	53/64	0.8281
11/32	0.3438	27/32	0.8438
23/64	0.3594	55/64	0.8594
3/8	0.3750	7/8	0.8750
25/64	0.3906	57/64	0.8906
13/32	0.4063	29/32	0.9063
27/64	0.4219	59/64	0.9219
7/16	0.4375	15/16	0.9375
29/64	0.4531	61/64	0.9531
15/32	0.4688	31/32	0.9688
31/64	0.4844	63/64	0.9844
1/2	0.5000	1	1.0000

What you need to build your Ornamental Rail:

You will need to buy one rail kit and one baluster kit per section of rail. The rail kits are sold in 6' and 8' lengths. Balusters* are pre-cut at 27" and come 16 to a box for the 6' kits and 20 to a box for the 8' kits. You will also need one TimberTech Post Cover and one TimberTech Post Cap for each 4x4 post. Post Covers* are 48" in length and Post Caps come in Flat Top or Pyramid Top styles in copper and brushed stainless steel. TimberTech Post Skirts are also available to complement the TimberTech Ornamental Railing System. Colors available: TimberTech Cedar, Grey, Redwood and Whitesand for all products.

* Square Balusters and Post Covers are also available in 12' lengths. Ornamental Spindles are 27" and are available as kits only.

NOTE: T-20 torques bit not included in rail kits.

Additional Information:

- TimberTech recommends the use of #8 or #10 x 3-1/2" Stainless Steel or high quality coated deck screws for the assembly of the Ornamental Rail System. Pre-drilling is required for all fastener locations.
- Heights specified in this guide are for 36" residential use.
- TimberTech should never be used as structural components.
- Prior to installation it is recommended that you consult your local building codes.
- Protective clothing and safety glasses are recommended.
- For all TimberTech products, standard woodworking tools may be used.
- As with any outdoor product, periodic cleaning is recommended.

*See reverse side for further information.

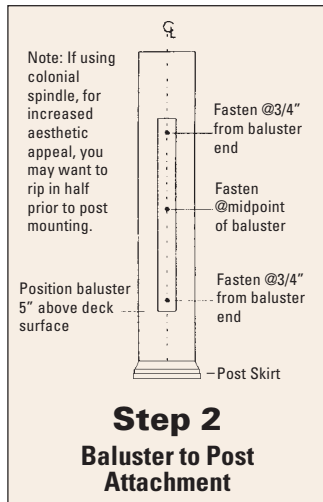
Helpful Calculations:

For Equal Baluster Spacing:

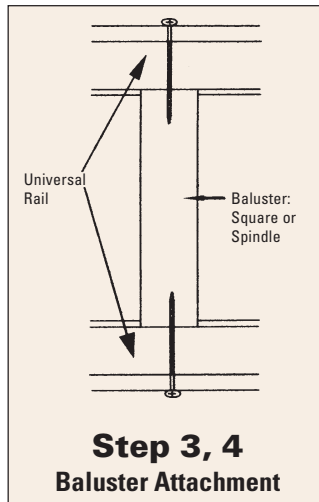
1. After installing the Post Cover, measure the distance between the two posts = A
2. $A - 1.35" = B$ distance between posts from center of mounted baluster to center of mounted baluster
3. $B/5" = C$ if a fractional answer is the result, always round up to the next whole number. (Example: if $C = 14.2$ then round to 15) C = the number of space you will have between posts
4. $B / C = D$ spacing for balusters (on-center dimension and should not exceed 5") NOTE: The first pre-drill location from each end of the Universal Rail will be .675" to allow for the post-mounted balusters at each end.

Quantity of Balusters needed:

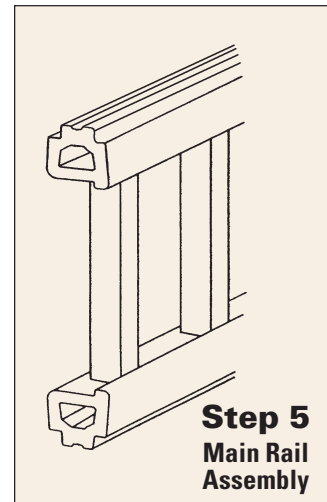
C (from above) + 1 = X total number of balusters needed including post-mounted balusters. NOTE: $X - 2$ = number of intermediate balusters.



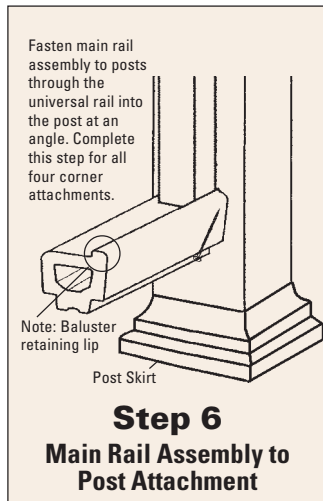
Step 2
Baluster to Post Attachment



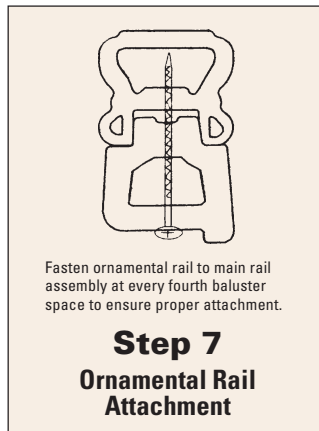
Step 3, 4
Baluster Attachment



Step 5
Main Rail Assembly

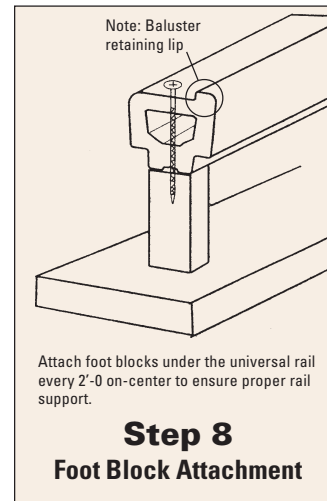


Step 6
Main Rail Assembly to Post Attachment



Step 7
Ornamental Rail Attachment

Fasteners are included in each rail kit.



Step 8
Foot Block Attachment

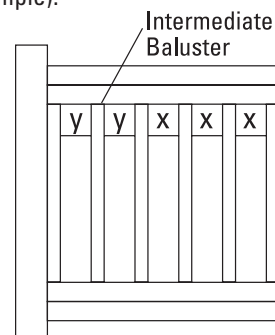
Assembly:

1. Be sure that 4x4's are vertically plumb. Slide Post Cover and Post Skirt over 4x4 posts. Due to irregularity of dimensional lumber, posts may need to be planed. Do not force cover over post.
2. Center and mount one baluster to each post. Position the baluster 5" above the deck surface. See above diagram for fastener locations. If using Ornamental Spindle, for increased aesthetic appeal, you may want to rip the spindle in half prior to post attachment.
For factory pre-drilled railings at 5" on center spacing, proceed to step 3. If you prefer to equally space the balusters, proceed to step 4. If your rails are not pre-drilled, proceed directly to step 4.

3. Measure the distance between posts near the top and bottom and transfer these measurements to the Universal Rails. Remembering to allow space for the post mounted baluster at each end. The measurement can be centered on a pre-drilled hole or halfway between two. If the baluster at each end of the railing assembly is close to the post-mounted baluster, you may achieve a more balanced look by moving the balusters to an intermediate position. Remember that TimberTech baluster spacing must not exceed 5" from center to center. See layout example below.

Once layout has been determined, cut the Universal Rails to length and install the balusters. Proceed to step 5.

4. For equal spacing of balusters only. Calculate the baluster spacing (see calculation example). Mark the centers of your balusters on the Universal Rails and pre-drill. Once you have finished pre-drilling top and bottom Universal Rails, attach your balusters to the two Universal Rails to create rail assembly. Remember that TimberTech baluster spacing must not exceed 5" from center to center.
5. Once you have the main rail assembly completed, slide the assembly onto the post-mounted balusters. Baluster retaining lip on the universal rails must be installed to the outside of the deck.
6. Attach the main rail assembly to posts.
7. Attach Ornamental Rail to Universal Rail (top).
8. Cut foot blocks from balusters. **Foot blocks are to be 2'-0" on-centers.**
9. Place TimberTech Post Caps over posts and fasten with stainless steel finish nails or exterior caulk.



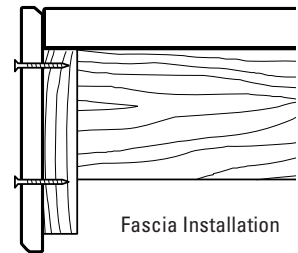
Trimming a TimberTech Deck

Trim Components

Fascia Board

12' lengths, 10" and 12" wide by 0.60" thick. TwinFascia™ is available in TimberTech Cedar, Grey, Redwood and Whitesand. Cedar, Grey and Redwood TwinFascia have one brushed side and one VertiGrain side. Whitesand TwinFascia has one smooth side and one ribbed (serrated) side. Earthwood Fascia in Tropical Walnut has one serrated side and one VertiGrain side.

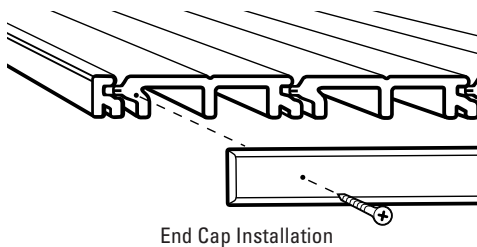
- To ensure a consistent appearance from board to board when installing Fascia, the beveled edge must be laid to the same side. If you rip a piece of Fascia be sure to note the location of the bevel on the ripped piece to ensure consistency.
- Fasten 2" from the top and bottom every 16" using #8 x 1-1/2" stainless steel or high quality coated screws, leaving a 1/8" gap between each plank and all other objects. **Do not use Trim Head screws.**
- TimberTech Fascia Board is for vertical applications only and should never be used as deck planks or structural members.



End Cap

6' lengths and is 3/8" thick by 1-1/2" wide. The End Cap is available in TimberTech Cedar, Grey and Redwood.

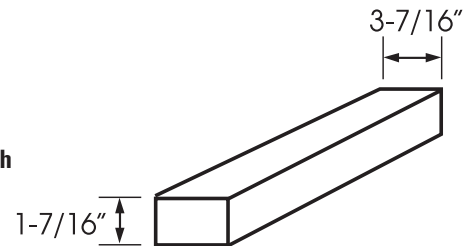
- Pre-drill holes through End Cap and deck plank and fasten with #8 x 1" stainless steel or high quality coated screws. Fastener spacing is every 12".



BuilderBoard™

16' lengths and is 1-7/16" thick by 3-7/16" wide. BuilderBoard is available in TimberTech Cedar, Grey and Redwood.

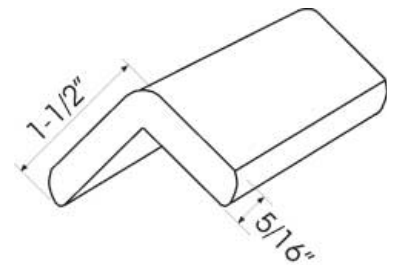
- General purpose profile use for building blocks.
- Not for use as deck plank.



Outside Corner Moulding

12' lengths and is 5/16" thick by 1-1/2" x 1-1/2". Outside Corner Moulding is available in TimberTech Cedar, Grey, Redwood and Whitesand.

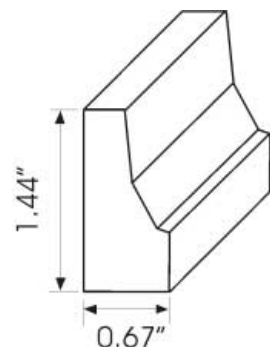
- Fasten 1" from end and every 12" using stainless steel 1-1/2" brad nails or finish nails.
- Use for any outside corner application; vertical or horizontal.



TimberTech Inside Corner Moulding

12' lengths and is 0.67" x 1.44" outside dimensions. Inside Corner Moulding is available in TimberTech Cedar, Grey, Redwood and Whitesand.

- Fasten 1" from end and every 12" using stainless steel 1-1/2" brad nails or finish nails.
- Use for post collars, flashing at house and deck and other inside corner applications.



Care and Cleaning Recommendations

Basic Cleaning Recommendations

TimberTech highly recommends periodic cleaning of your TimberTech deck to help maintain the beauty of the product. Most deck-cleaning products will work on TimberTech. For best results use a cleaner that contains any of the following as an active ingredient for general cleaning and follow the manufacturer's instruction for use:

- Phosphoric Acid
- Oxalic Acid
- Hydrochloric Acid
- Sodium Hypochlorite

Power washing will enhance results when cleaning your TimberTech deck. 1500psi is the recommended maximum for TimberTech products. A fan tip nozzle should be used along with the proper cleaning product. Spray in the direction of the brush/grain pattern to avoid damaging your decking. Use caution not to damage the material and always take the proper safety precautions when operating a power washer.

Ice and Snow

If you reside in a cold weather climate where ice and snow periodically come in contact with your deck, use calcium chloride or rock salt to melt the ice and snow.

Mildew

Wash your deck periodically with a cleaner like Zinsser's JOMAX (www.zinsser.com) that contains or is mixed with Sodium Hypochlorite. Follow the manufacturer's application instructions. Use a stiff brush to scrub heavily stained surfaces following the grain.

Rinse off your TimberTech deck periodically with a hose. Even if your deck appears clean, it is important to prevent build-up of pollen/debris. Mildew stains may occur where moisture, pollens, and/or dirt are present. Mildew needs a food source to grow, which can be grass, pollens, dirt, debris, wood and wood resins.

Maintaining a clean, dry deck surface is the best method for combating mildew. Ensure that water drains effectively from your deck. Keeping weep holes clear and unclogged on TimberTech Floorizon Planks. For TimberTech Earthwood, TwinFinish 5/4 and 2x6 planks, be sure that gaps exist between planks to allow for drainage.

Spot Stains

Oil Eater Cleaner and Degreaser is very effective against oil, grease and other stains. For extra heavy oil and grease stains or other specific stain types, check with your local lumberyard, hardware stores or home centers for cleaners applicable to a specific stain type. If stains have set, you may want to use fine sandpaper and sand lightly, following the wood grain finish of the plank. The sanded area will weather back in approximately 8-10 weeks.

Rust, Ground-in Dirt and Grime

Use a cleaner that contains Phosphoric Acid or Oxalic Acid. Follow manufacturer's application instructions. If the stains have set, you may use fine sandpaper and sand lightly followed by a wire brush to re-grain the decking. Always follow the wood grain finish of the plank. The sanded area will weather back in approximately 8-10 weeks but can vary depending on location and specific application.

Scratches, Nicks, Cuts and Grooves

For all products except TimberTech Railing, scratches, nicks, cuts and grooves can be eliminated by using a wire brush. Brushing will need to be consistent with the grain of the product and the brushed area will weather back in approximately 8-10 weeks.

Tannin Stains

Like any wood based product, TimberTech may experience a naturally occurring process called Extractive Bleeding. This process may cause a temporary discoloration that will weather away. In most cases this process takes 8-10 weeks but could vary depending on location and specific application such as a covered or screened-in porch. To clean these areas on your TimberTech deck, it is recommended that you use a product such as Dekswood, manufactured by Flood www.floodco.com (800) 321-3444 (available at most home centers and hardware stores), Composite Deck Restorer from PSC Solutions www.psc-solutions.com (800) 354-2926.

Painting/Staining/Sealing

Stains and sealers that are recommended for use with TimberTech are:

- Cabot Clear Solution-Oil Based (www.cabotstain.com)
- Cabot Australian Timber Oil (www.cabotstain.com)
- Weatherall UV Guard Deck and Fence Coating (www.weatherall.com)
- Weatherall UV Guard Exterior Wood Finish (www.weatherall.com)

Wait approximately 8-10 weeks or until TimberTech has completed its weathering process before painting or staining. Clean your TimberTech decking surface prior to applying paint or stain. Never paint or stain over surfaces that may contain dirt, or mildew. Be sure paint or stain does not clog drain holes in the TimberTech Floorizon Planks. Once TimberTech is painted, stained or sealed, subsequent applications will be necessary to maintain appearance. TimberTech cannot be responsible for the performance of stains or paints applied to any TimberTech Engineered Decking Systems product. Always apply paints and sealers in accordance with the manufacturer's application instructions.

**TimberTech Customer:
Please complete this
card and mail to:**

TimberTech
894 Prairie Avenue
Wilmington, Ohio 45177
Attn: Warranty

**This information will help
us better serve your needs.
Please return warranty card
within 30 days of receipt of
product.**

Name: _____

Street Address: _____

City: _____ State: _____ Zip: _____

Phone: _____ Fax: _____ E-Mail: _____

Where did you purchase TimberTech? _____

Who installed your TimberTech? _____

How did you first learn about TimberTech? _____

Which products did you use and what color? (circle all that apply)

Earthwood Plank, Floorizon Plank, TwinFinish Plank, 5/4 Plank, 2x6 Plank • Cedar, Grey, Redwood, Tropical Walnut
Ornamental Rail, RadianceRail • Cedar, Grey, Redwood, Whitesand, Coastal White

Why did you choose TimberTech? (circle only one) textured surface, quality, price, warranty, color

Other (explain) _____

Limited Warranty

25-Year Limited Warranty: TimberTech Limited (hereinafter "TimberTech") warrants to the original consumer purchaser (hereinafter "Purchaser") that, for a period of twenty-five (25) years from the date of original consumer purchase, under normal use and service conditions, TimberTech's decking and railing products, but specifically excluding the TimberTech DrySpace product (hereinafter the "Products"), shall be free from material defects in workmanship and materials, and shall not check, split, splinter, rot or suffer structural damage from termites or fungal decay.

If a defect appears within twenty-five (25) years from the date of original customer purchase, Purchaser shall notify TimberTech in writing within thirty (30) days from the discovery of the alleged defect, and, upon confirmation by an authorized TimberTech representative of the defect, TimberTech's sole responsibility shall be, at its option, to either replace the defective Product or refund the portion of the purchase price paid by Purchaser for such defective Product (not including the cost of its initial installation). This warranty shall not cover and TimberTech shall not be responsible for costs and expenses incurred with respect to the removal of defective TimberTech Products or the installation of replacement materials, including but not limited to, labor and freight. The foregoing remedies are the SOLE AND EXCLUSIVE REMEDY FOR BREACH OF ANY WARRANTY.

This warranty may be transferred one (1) time, within the five (5) year period beginning from the date of original purchase by the Purchaser, to a subsequent buyer of the property upon which the TimberTech Products were originally installed.

To make a claim under this limited warranty, Purchaser, or the transferee, shall send to TimberTech, within the warranty period referred to above, a description of the claimed defect and proof of purchase, to the following address:

TimberTech Limited
894 Prairie Avenue
Wilmington, Ohio 45177
Attn: Claims Department

TimberTech does not warrant against and is not responsible for, and no implied warranty shall be deemed to cover, any Product failure, Product malfunction, or damages attributable to: (1) improper installation of TimberTech Products and/or failure to abide by TimberTech's installation guidelines, including but not limited to improper gapping; (2) use of TimberTech Products beyond normal residential use, or in an application not recommended by TimberTech's guidelines and local building codes; (3) movement, distortion, collapse or settling of the ground or the supporting structure on which TimberTech Products are installed; (4) any act of God (such as flooding, hurricane, earthquake, lightning, etc.), environmental condition (such as air pollution, mold, mildew, etc.), or staining from foreign substances (such as dirt, grease, oil, etc.); (5) variations or changes in color of TimberTech Products; or (6) improper handling, storage, abuse or neglect of TimberTech Products by Purchaser, the transferee of third parties. Each Purchaser is solely responsible for determining the effectiveness, fitness, suitability and safety of the TimberTech Products in connection with its use in any particular application.

No person or entity is authorized by TimberTech to make and TimberTech shall not be bound by any statement or representation as to the quality or performance of TimberTech Products other than as contained in this warranty. This warranty may not be altered or amended except in a written instrument signed by TimberTech and Purchaser.

LIMITATION OF REMEDIES AND EXCLUSION OF CONSEQUENTIAL AND INCIDENTAL DAMAGES:

TIMBERTECH'S LIABILITIES ARE LIMITED SOLELY AND EXCLUSIVELY TO THE OBLIGATIONS SPECIFICALLY UNDERTAKEN HEREIN, AND UNDER NO CIRCUMSTANCES WILL TIMBERTECH BE LIABLE OR OBLIGATED FOR ANY INCIDENTAL, CONSEQUENTIAL, INDIRECT, SPECIAL, PUNITIVE OR ANY OTHER DAMAGES OF ANY KIND WHATSOEVER (INCLUDING, BUT NOT LIMITED TO, LOST PROFITS, LOST SALES, LOSS OF GOODWILL, USE OF MONEY, USE OF GOODS, STOPPAGE OF WORK, OR IMPAIRMENT OF ASSETS), WHETHER FORESEEABLE OR UNFORESEEABLE, ARISING OUT OF BREACH OR FAILURE OF EXPRESS OR IMPLIED WARRANTY, BREACH OF CONTRACT, FRAUD, MISREPRESENTATION, NEGLIGENCE, STRICT LIABILITY IN TORT OR OTHERWISE, EXCEPT AND ONLY TO THE EXTENT THIS LIMITATION IS SPECIFICALLY PRECLUDED BY APPLICABLE LAW OF MANDATORY APPLICATION. TIMBERTECH'S LIABILITY WITH RESPECT TO DEFECTIVE PRODUCTS SHALL IN NO EVENT EXCEED THE REPLACEMENT OF SUCH PRODUCTS OR REFUND OF THE PURCHASE PRICE, AS DESCRIBED ABOVE.

Some states do not allow the exclusion or limitation of incidental or consequential damages, so the above limitation or exclusion may not apply to you. This warranty gives you specific legal rights, and you may also have other rights that vary from state to state.

This writing is understood and intended to be the final expression of the parties' agreement and is a complete and exclusive statement of the terms and conditions with respect thereto, superseding all prior agreements or representations, oral or written, and all other communication between the parties relating to the subject matter of this agreement. No agent, employee or any other party is authorized to make any warranty in addition to that made in this agreement.

DISCLAIMER OF WARRANTIES: EXCEPT FOR THE EXPRESS WRITTEN WARRANTY CONTAINED HEREIN, TIMBERTECH MAKES NO OTHER WARRANTIES, GUARANTEES OR INDEMNITIES, WHETHER EXPRESS OR IMPLIED, ARISING BY LAW, COURSE OF DEALING, USAGE OF TRADE, CUSTOM OR OTHERWISE, INCLUDING BUT NOT LIMITED TO THE IMPLIED WARRANTY OF MERCHANTABILITY AND IMPLIED WARRANTY OF FITNESS FOR A PARTICULAR PURPOSE, AND ALL SUCH OTHER WARRANTIES, GUARANTEES AND INDEMNITIES ARE HEREBY DISCLAIMED, OVERRIDDEN AND EXCLUDED FROM THIS TRANSACTION.

Some States do not allow limitations on how long an implied warranty lasts so the above limitation may not apply to you

This warranty shall only be applicable and enforceable in the United States of America and Canada.

Copyright (c) 2005 TimberTech
This warranty is effective for consumer purchases made on or after January 1, 2005.

TimberTech suggests visiting your local TimberTech Dealer to view deck expense,
see actual profile dimensions and make color selections.
Visit www.timbertech.com or call 1-800-307-7780 to find your closest TimberTech Dealer:

Visit www.timbertech.com or call 1-800-307-7780
for more information.



TimberTech
894 Prairie Avenue
Wilmington, OH 45177
www.timbertech.com
1-800-307-7780

 **Crane Plastic Company**

Crane Plastics™ is a trademark of Crane Plastics Company LLC. TimberTech®, TimberTech Engineered Decking Systems®, Less Work. More Life.®, You'll Never Find Wood This Good®, TwinFinish® and the swirl design are registered trademarks and Floorizon™, TwinFascia™, Earthwood™, RadianceRail™, VertiGrain™ and BuilderBoard™ are trademarks of TimberTech Limited. TimberTech Engineered Decking Systems products are covered by one or more of the following U.S. Patents: 5,393,536; 5,783,125; 5,827,462; 5,836,128; 5,866,264; 6,011,091; 6,035,588; 6,103,791; 6,117,924; 6,131,355; 6,180,257; 6,248,813; 6,272,808; 6,337,138; 6,344,504; 6,409,952; 6,423,257; 6,453,630; 6,464,913; 6,498,205; 6,511,757; 6,578,368; 6,579,605; 6,590,004; 6,617,376; 6,632,863; 6,637,213; 6,662,515; 6,685,858; 6,708,504; 6,780,359; 6,784,216; 6,863,972 and other patents pending.

©2006 TimberTech. Printed in the U.S.A.

LIT-TT06-INSTALL